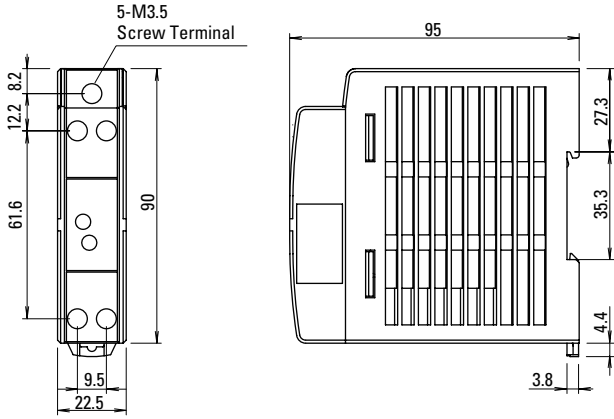
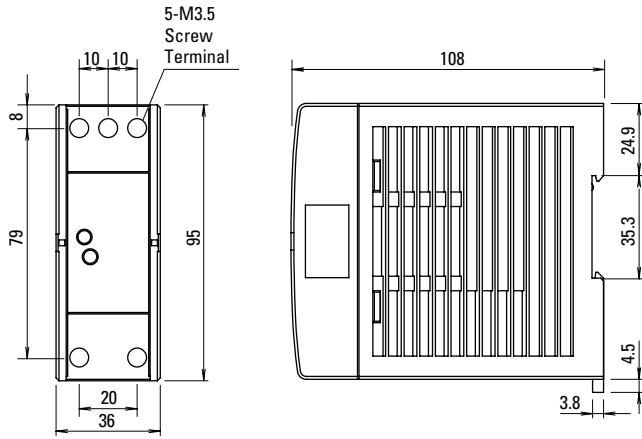


## DIMENSIONS (mm)

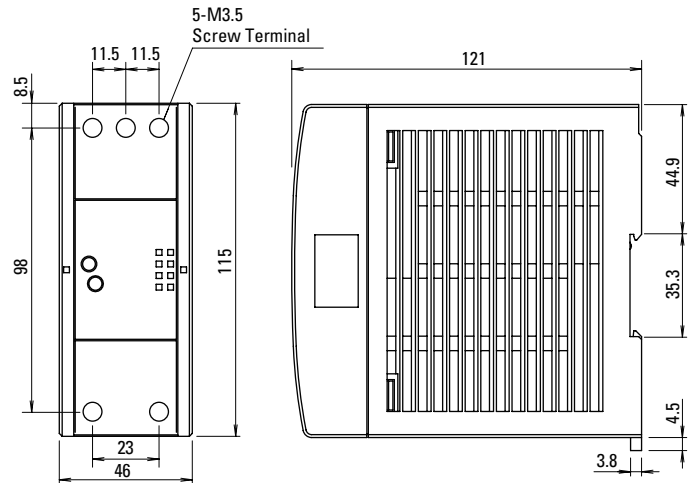
### PS5R-VB/VC



### PS5R-VD



### PS5R-VF



## ACCESSORY PART NUMBERS

### Panel Mounting Bracket\*2

Applicable Switching Power Supply	Part Number	Remarks
PS5R-VB	PS9Z-5R1B	—
PS5R-VC	PS9Z-5R2B	For side mounting
PS5R-VD	PS9Z-5R1C	—
PS5R-VF	PS9Z-5R1E	—

\*2: Used when installing on a panel directly.

### DIN Rail (35mm-wide)

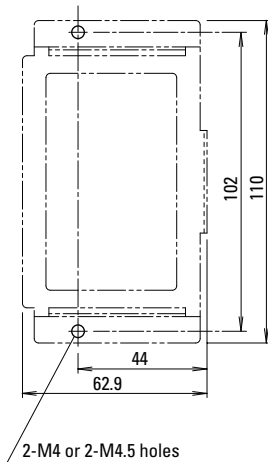
Length	Part Number	Material
1000mm	BNDN1000	Aluminum

### End Clip

Part Number
BNL6
BNL8

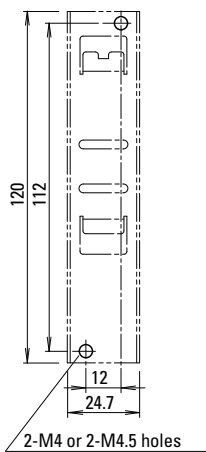
### PS9Z-5R2B

#### Side-mount - Panel Mounting Bracket

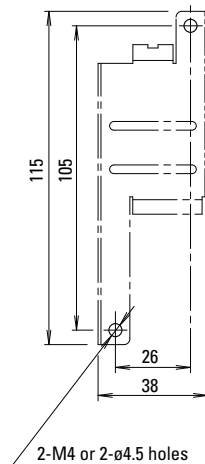


### PS9Z-5R1B

#### Panel Mounting Bracket



### PS9Z-5R1C Panel Mounting Bracket



### PS9Z-5R1E Panel Mounting Bracket

